

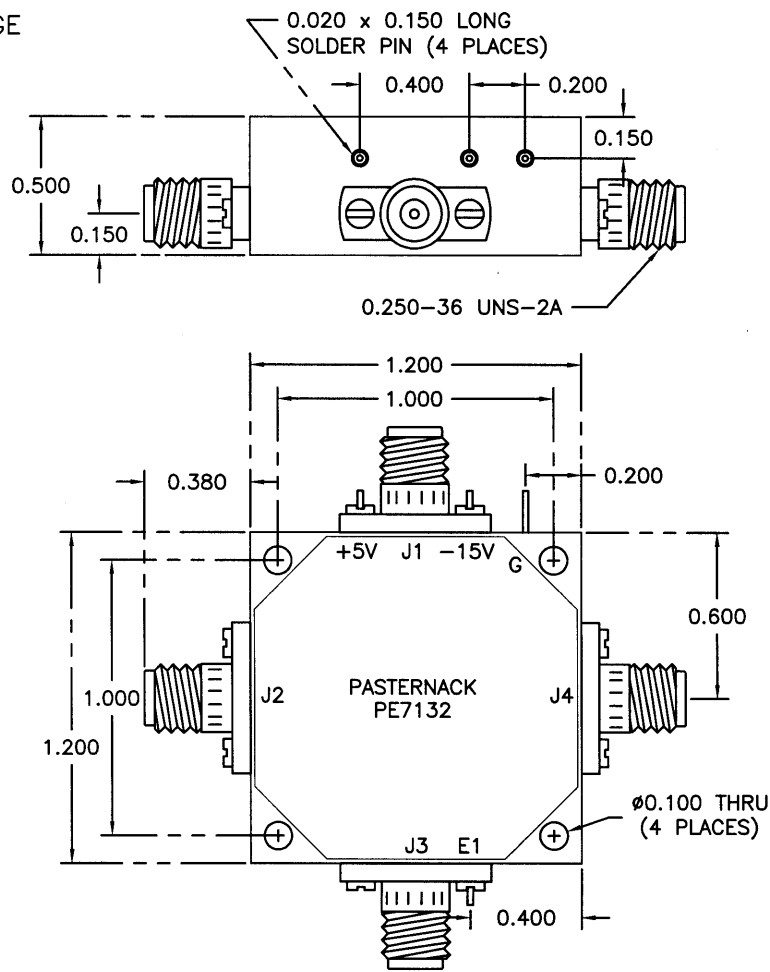
DESCRIPTION

AMC MODEL SWN-10M1-TRA-PE7132 IS A FORM, FIT AND FUNCTIONAL TRANSFER SWITCH DESIGNED TO OPERATE BETWEEN THE 10 MHZ TO 1 GHZ FREQUENCY RANGE WITH LOW INSERTION LOSS AND HIGH ISOLATION PER SCD# PE7132.

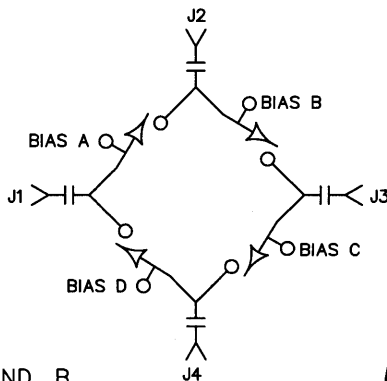
SPECIFICATIONS

- FREQUENCY RANGE: 10 MHz TO 1 GHz
- INSERTION LOSS: 1.3 dB MAXIMUM
- ISOLATION: 80 dB MINIMUM
- VSWR: 1.5:1
- RISE TIME: 10 nSec TYPICAL, 15 nSec MAXIMUM
- FALL TIME: 10 nSec TYPICAL, 15 nSec MAXIMUM
- DELAY ON: 75 nSec TYPICAL, 100 nSec MAXIMUM
- DELAY OFF: 75 nSec TYPICAL, 100 nSec MAXIMUM
- POWER WATTS: 2.0 MAXIMUM
- CONTROL:
 - TTL LOGIC 0: J1-J2, J3-J4 LOW LOSS
 J1-J4, J2-J3 ISOLATION
 - TTL LOGIC 1: J1-J4, J2-J3 LOW LOSS
 J1-J2, J3-J4 ISOLATION
- POWER SUPPLY: +5V ± 0.5V @ 80 mA MAXIMUM
 -15V ± 3.0V @ 80 mA MAXIMUM
- CONNECTORS:
 - RF: SMA FEMALE
 - CONTROL: SOLDER PIN
- SIZE: 1.20" (L) x 1.20" (W) x 0.50" (H)

REVISIONS				DATE	APPROVED
ZONE	REV.	DESCRIPTION			
-	-	ORIGINAL RELEASE JOB# 411288		9/1/05	



BLOCK DIAGRAM



ENVIRONMENTAL RATINGS:

- TEMPERATURE: -55°C TO +85°C (OPERATING)
 -65°C TO +125°C (STORAGE)
- HUMIDITY: MIL-STD-202F, METHOD 103B COND. B
- SHOCK: MIL-STD-202F, METHOD 213B COND. B
- VIBRATION: MIL-STD-202F, METHOD 204D COND. B
- ALTITUDE: MIL-STD-202F, METHOD 105C COND. B
- TEMPERATURE CYCLE: MIL-STD-202F, METHOD 107D COND. A

NOTE: SPECIFICATIONS WILL VARY OVER OPERATING TEMPERATURE
 NOTE: THE ABOVE SPECIFICATIONS ARE SUBJECT TO CHANGE OR REVISION

ALL DIMENSIONS ARE IN INCHES
 TOLERANCES:
 X.XX ±0.020
 X.XXX ±0.010

AMERICAN MICROWAVE CORPORATION

7311-G GROVE ROAD
 FREDERICK, MARYLAND 21704 USA
 TEL: 301-662-4700 FAX: 301-662-4938
 WEBSITE: www.americamicrowavecorp.com
 E-MAIL: sales@americamicrowavecorp.com
 ISO 9001:2000 CERTIFIED

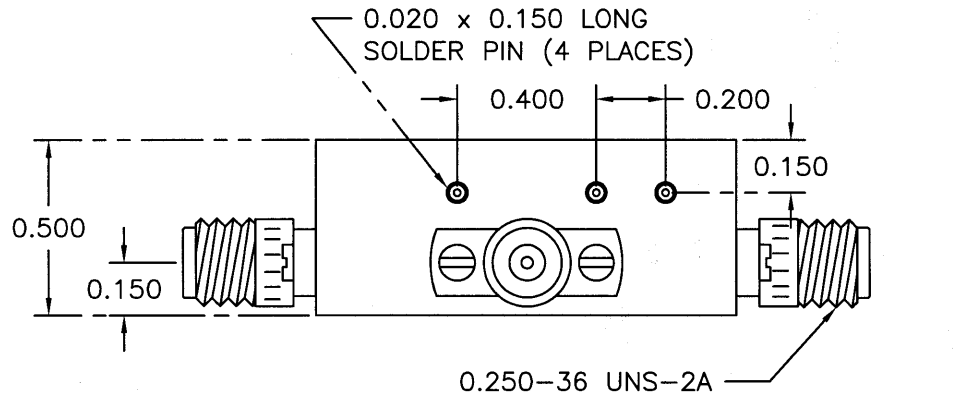


APPROVALS		DATE	TITLE PRODUCT FEATURE				REV.
		9/1/05	SWN-10M1-TRA-PE7132				
DRAWN <i>gdy</i>			10 MHz - 1 GHz TRANSFER SWITCH				
CHECKED			SIZE A	FSCM NO. 60483	DWG NO. 100-7367		
ISSUED			SCALE N:S				SHEET 1 OF 3

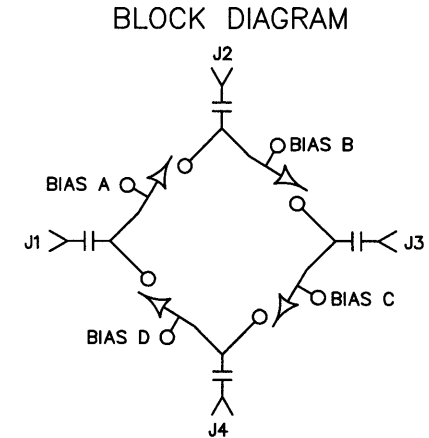
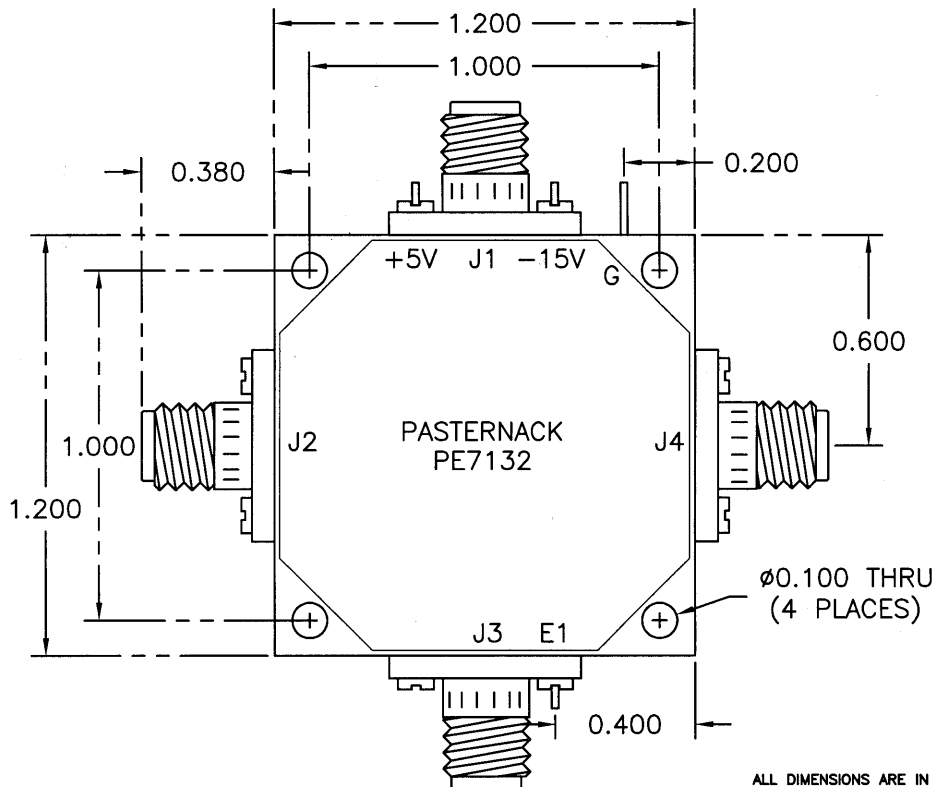
DESCRIPTION

AMC MODEL SWN-10M1-TRA-PE7132 IS A FORM, FIT AND FUNCTIONAL TRANSFER SWITCH DESIGNED TO OPERATE BETWEEN THE 10 MHz TO 1 GHz FREQUENCY RANGE WITH LOW INSERTION LOSS AND HIGH ISOLATION PER SCD# PE7132.

REVISIONS				
ZONE	REV.	DESCRIPTION	DATE	APPROVED
-	-	ORIGINAL RELEASE JOB# 411288	3/1/05	



MECHANICAL OUTLINE



ALL DIMENSIONS ARE IN INCHES
TOLERANCES:
X.XX ±0.020
X.XXX ±0.010

AMERICAN MICROWAVE CORPORATION

7311-G GROVE ROAD
FREDERICK, MARYLAND 21704 USA
TEL: 301-662-4700 FAX: 301-662-4938
WEBSITE: www.americammicrowavecorp.com
E-MAIL: sales@americammicrowavecorp.com
ISO 9001:2000 CERTIFIED



APPROVALS		DATE	TITLE		
DRAWN <i>gdf</i>		3/1/05	MECHANICAL OUTLINE		
CHECKED			SWN-10M1-TRA-PE7132		
ISSUED			10 MHz - 1 GHz TRANSFER SWITCH		
SIZE	FSCM NO.	DWG NO.	REV.		
A	60483	100-7367	-		
SCALE N:S		SHEET		2 OF 3	